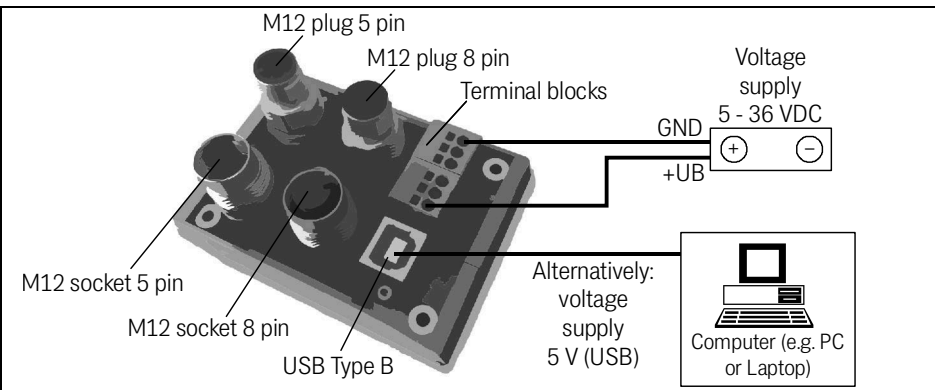


**Pin Assignments**



**Main Features**

- Connection capabilities for one of the compatible sensors (see below) via standard M12 cables and connectors
- Power supply of the connected sensor
- Output of the sensor signals via terminal blocks and M12 connectors (A coded, 5 and 8 pin)
- USB socket for connecting the sensor with a computer (configuration)
- Casing for top hat rail mounting

**Compatible Devices**

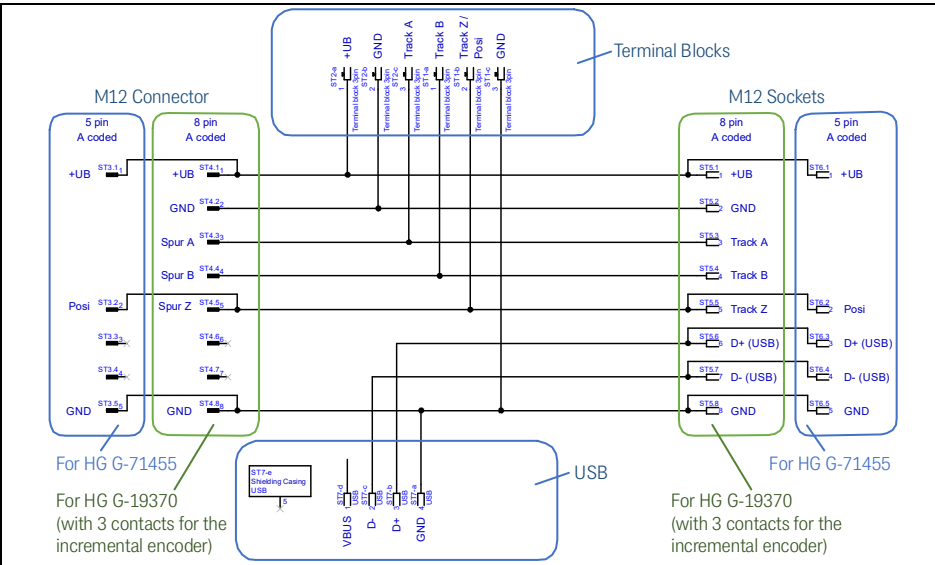
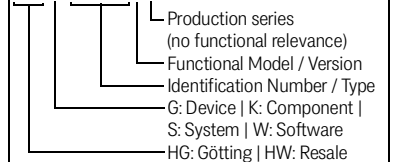
- HG G-19370  
Inductive Guidance sensor, multi-frequency, 5 to 36 VDC (operation)
- HG G-71455  
Transponder antenna, 5V USB (configuration), 18 to 36 VDC (operation)

**Note**

There may only be one power supply feeding within an installation. Alternatively use the terminal block (recommended) or the connected antenna.

**Götting Product IDs (order codes)**

**HG G-20960ZA**



**Technical Data**

Dimensions	aprox. 83 x 57 x 55 mm (L x W x H)
Casing	Plastic, top hat rail mounting
Weight	approx. 200 g
Voltage supply	5 to 36 VDC, nominal voltage: 24 VDC
Power load capacity	max. 2 A
Temperature range	Storage & operation: -40° C to +85° C
Relative humidity	95 % at 25° C (without condensation)
Connectors	2x 3-pin terminal block, USB Type B (female), 4x M12 A coded (1x 5 pin socket, 1x 8 pin socket, 1x 5 pin plug, 1x 8 pin plug)

📅 Date: 05.11.2020 | Revision 02 / English | Author(s): RAD / LF / GW

🔗 Product page: <http://goetting-agv.com/components/20960>

