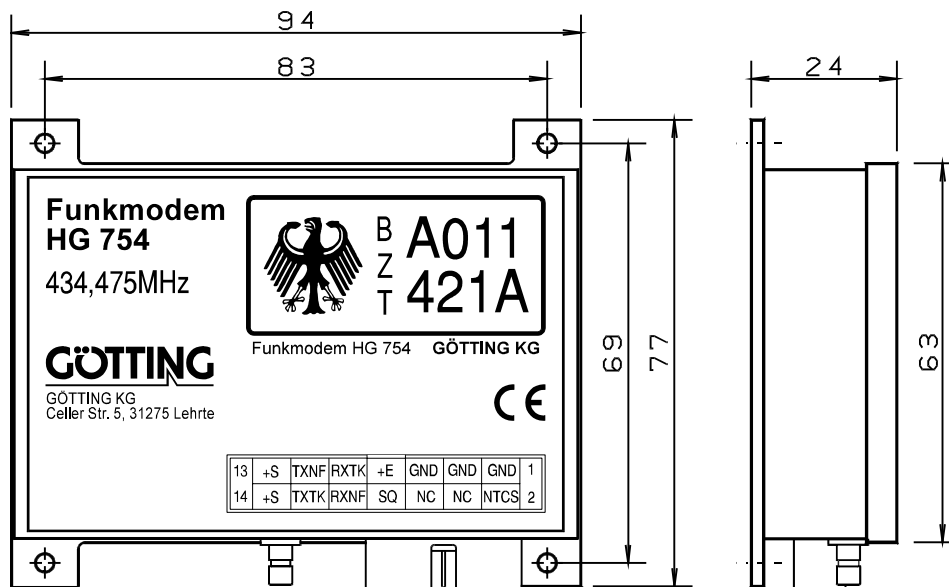


Description

- 1-channel RF transceiver for wireless data exchange in industrial applications.
- Output power 500 mW, operating within the 70 cm frequency band.
- Can be mounted onto a Euro card.



Technical Data

- Frequencies:	between 433,10 MHz and 434,75 MHz / 25 kHz pattern 456,21 MHz / 456,25 MHz / 456,33 MHz 466,21 MHz / 466,25 MHz / 466,33 MHz	
- Output power:	500 mW	Input resistance: 50 kOhm
- Output resistance:	50 Ohm	Input voltage: 1 V _{eff}
- Current assumption (R/T):	150 mA / 250 mA	Output resistance: 1 kOhm
- LF-Frequency range:	300 Hz to 3 kHz	Output voltage: 2 V _{eff}
- Input sensitivity:	-105 dBm for 20 dB SINAD	
- Power supply:	12 V ±10 % < 100 mV hum	
- Hardware interface:	14-pin contact strip for flat band cable	
- Antenna connector:	SMB connector	
- Pin allocation:	1,3,5 = GND / 2 = NTC / 4,6 = NC / 7 = +receiver / 8 = field intensity voltage (depending on power supply a. operating temp.) / 9 = intermediate tuning voltage Δf receiver / 10 = output voltage. receiver / 11 = modulation voltage transmitter / 12 = intermediate tuning voltage Δf transmitter / 13,14 = +transmitter	